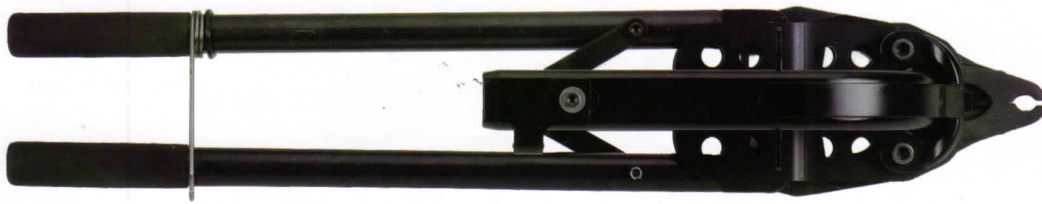




ANN-CHAIN ENTERPRISE CO., LTD.
NO. 65-5, LANE 540, YOAN-FONG RD.,
CHANG HUA CITY, TAIWAN, R.O.C.
TEL: 886-4-7521297 FAX: 886-4-7521293

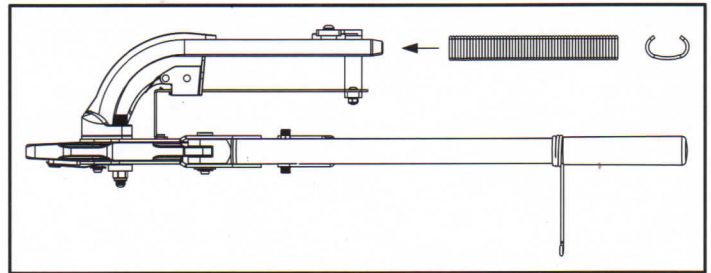
C-RING HAND PLIERS

AC50MH

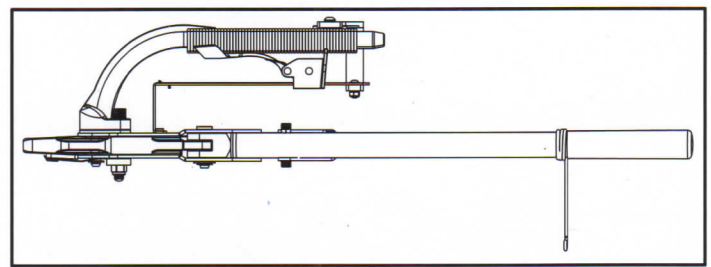


OPERATING INSTRUCTIONS

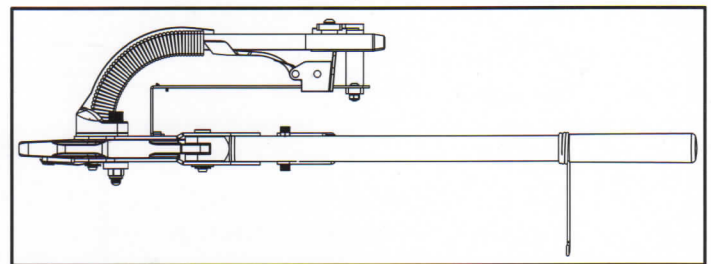
STEP 1.
Load C-Ring on the magazine and push C-Ring till angle of magazine



STEP 2.
Push back pusher spring to end position of magazine



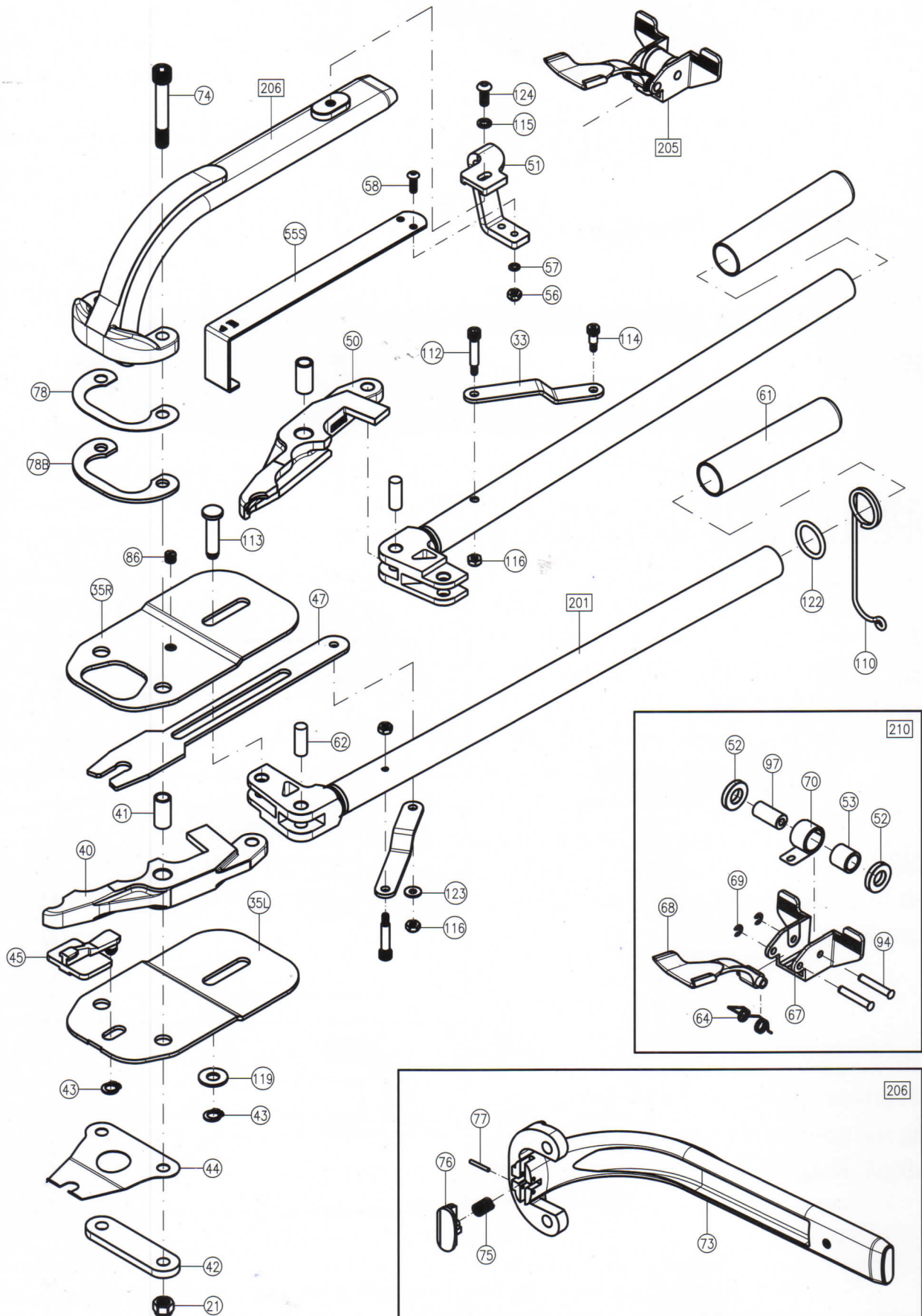
STEP 3.
Hold pusher and engage pusher with C-Ring and push pusher forward. Completed loading C-Ring on the magazine.



Note: New design of pusher (with two ears), easier loading C-Ring.
This tool is compliant within or conforms to EN792-13



AC50MH



PARTS LIST

ITEM	DESCRIPTION	PART NUMBER	Q'TY
21	Nut	AC50021	2
33	Connecting Link	AC50H033	2
35R	Side Plate (Right)	AC50H35R	1
35L	Side Plate (Left)	AC50H35L	1
40	Upper Jaw	AC50H040	1
41	Jaw Bushing	AC50H041	2
42	Plate Support	AC50042	1
43	Latch Pin Clip	AC50043	2
44	Latch Spring	AC50044	1
45	Latch	AC50045	1
47	Feeder Blade	AC50H047	1
50	Lower Jaw	AC50H050	1
51	Feeder Arm	AC50H051	1
52	Plastic Washer	AC50M052	2
53	Spring Roll	AC50M053	1
55S	Feeder Guide Rail(Short)	AC50MH55S	1
55L	Feeder Guide Rail(Long)	AC50M55L	1
56	Nut	AC50MH056	1
57	Washer	AC50MH057	1
58	Screw	AC50MH058	2
61	Handle Grip	AC50H061	1
62	Dowel Pin	AC50H062	2
64	Pusher Spring	AC50M064	1
67	Magazine Set	AC50M067	1
68	Pusher	AC50M068	1
69	Stop Ring	AC50M069	2
70	Spring	AC50070	1
73	Magazine Body (Short)	AC50H073	1
	Magazine Body (Long)	AC50073	1
74	Jaw Bolt	AC50074	2
75	Magazine Spring	AC50075	1
76	Magazine Shoe	AC50076	1
77	Roll Pin	AC50077	1
78	Magazine Shim	AC50078	1
78B	Magazine Shim(Thick)	AC5078B	1
86	Plate Screw	AC01M086	1
94	Pusher Pin	AC50M094	2
97	Spring Roll	AC50M097	1
110	Handle Spring Latch	AC50H110	1
112	Cap Screw	AC50H112	2
113	Clevis Pin	AC50H113	1
114	Link Screw	AC50H114	1
115	Washer	AC50H115	1
116	Nut	AC50H116	2
118	Nut	AC50H118	2

ITEM	DESCRIPTION	PART NUMBER	Q'TY
119	Washer	AC50H119	1
122	O-Ring	AC50H122	1
123	Washer	AC50H123	1
124	Screw	AC50H124	1
202	Handle Weldment Assy.	AC50H202	1
206	Magazine Assy. (Short)	AC50H206	1
	Magazine Assy. (Long)	AC50206	1
210	Pusher Assy.	AC50MH210	1

RECOMMENDED SPARE PARTS LIST

ITEM	DESCRIPTION	PART NUMBER	Q'TY
40	Upper Jaw	AC50H040	1
47	Feeder Blade	AC50H047	1
50	Lower Jaw	AC50H050	1
64	Pusher Spring	AC50M064	1
70	Spring	AC50070	1
112	Cap Screw	AC50H112	2
114	Link Screw	AC50H114	1
206	Magazine Assy. (Short)	AC50H206	1
	Magazine Assy. (Long)	AC50206	1

★ LIMITED WARRANTY ★

ANN-CHAIN ENTERPRISE CO., LTD. warrants that the C-Ring hand pliers is free from Defects in material and workmanship under normal use, within half year from the date of purchase, in the country of purchase. The warranty is extended to the original purchaser only. All parts except the consumable parts are warranted for half year from date of purchase and will be replaced if the sole judgment of ANN-CHAIN ENTERPRISE CO., LTD. they should be deemed defective over and above that considered to be normal wear.

PERIODIC MAINTENANCE

1. Keeping clean of the tools

Do not set tools at the place where will get damage easily. Please keep from dust and humidification. Putting the tool in proper temperature is very important when the tool does not be used for a long time.

2. Cleaning the obstacle inside of tool

After using tools, please clean any obstacle blocking in JAWS (#40, #50). Keeping the tools clean is better.

3. Putting down tools lightly

After work, please put tools down lightly to avoid damaging the body and the magazine of tool.

TROUBLESHOOTING GUIDE

1. The handles must be opened completely to the full open position. This will need to be done in a continuous motion to prevent the tool from jamming. Failure to do this will cause the ring to feed short of the latch nose. The ring must feed beyond the latch nose to allow the latch to position behind the ring and prevent the ring from deforming during closure.

2. If the handles become locked the operator will need to remove the jammed rings between the jaws. Most of the time this can be accomplished by using a screwdriver or other probing device to free the jammed rings.

3. If rings do not feed smoothly down the magazine, check pusher spring for proper tension. If the magazine is covered with dirt from field use, clean the magazine and apply a light coating of oil.

4. When rings feed properly on the magazine but do not feed into the jaws without spitting out of the magazine side of the tool, or if the rings sit in the jaw grooves on an angle, check jaws to insure freedom of movement. With the jaws void of rings, the vertical movement should be approximately 1.5mm. The jaw bolt nuts should be snug, but never over-tightened.

WARNING

- ◆ Always read tool manual before operating.
- ◆ Do not point the tool at anyone.
- ◆ Keep hands and clothing away from the front of Jaws of the tool and away from all moving parts. Injury may result. Failure to follow these precautions may result in serious injury.
- ◆ Never actuate tool when loading, accidental injury may occur.
- ◆ Keep others at a safe distance from the tool while the tool is in operation as actuation occurs, possibly causing injury.
- ◆ Always wear safety glasses while operating or while in the vicinity of a tool in operation.