

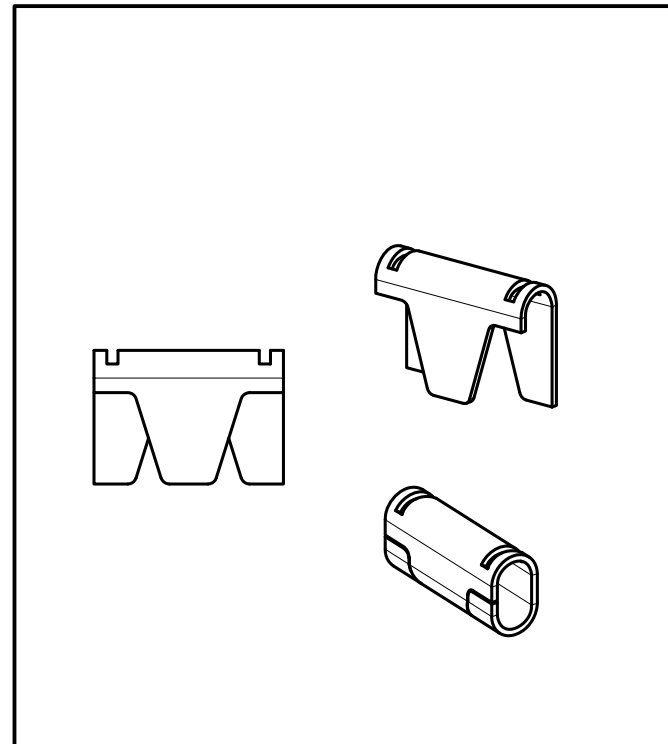


## ANN-CHAIN ENTERPRISE CO., LTD.

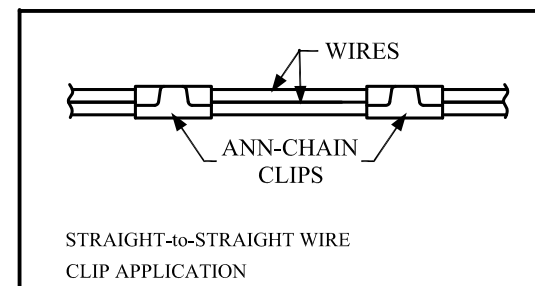
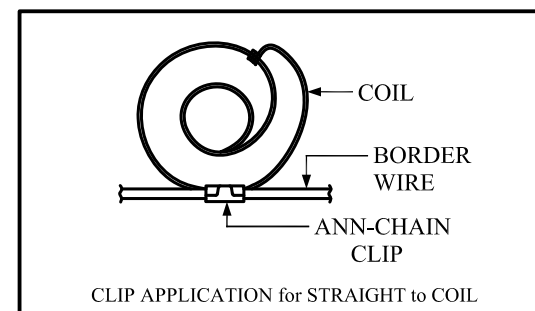
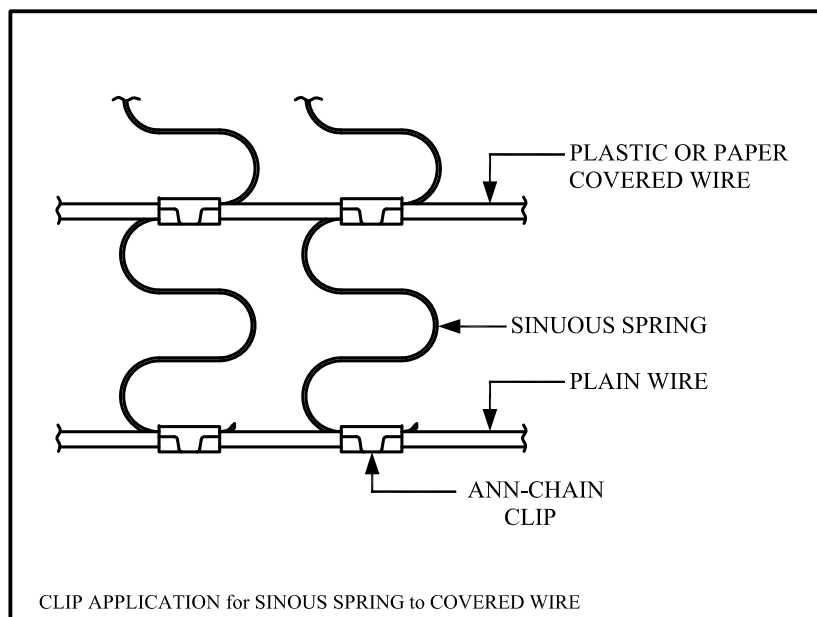
NO.65-5, LANE 540, YOAN-FONG RD.,  
CHANG HUA CITY, TAIWAN, R.O.C.  
TEL: 886-4-7521297 FAX: 886-4-7521293

### MANUAL CLINCHING CLIP TOOL

MODEL: AF01H / AF02H / AF03H / AF04H / AF05H / AF06H

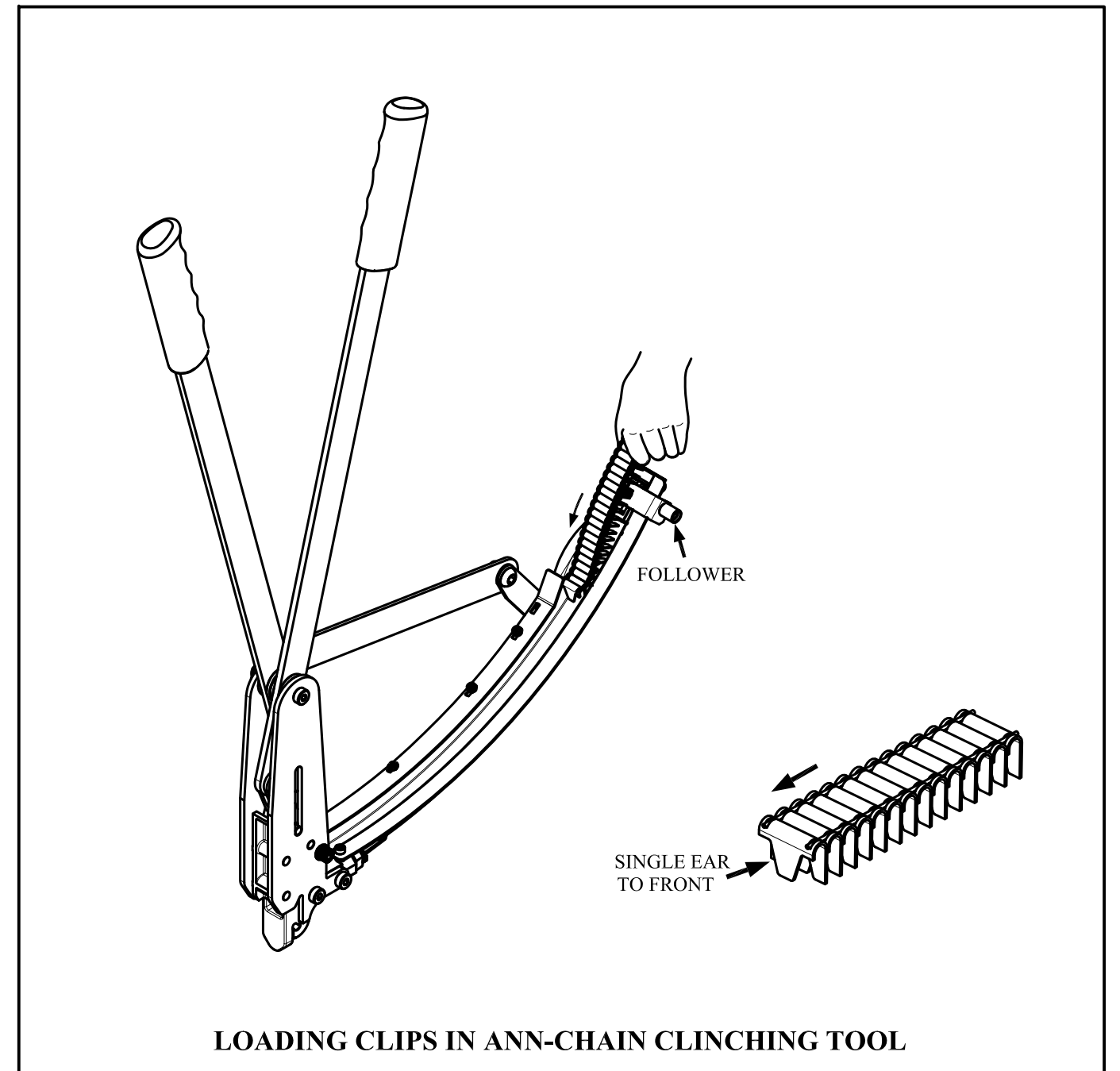


### CLIP APPLICATIONS



### OPERATION

Pulling the pusher to the rear of the magazine where it latches. Insert clips with single ear to the front and release pusher latch. As shown below chart. The tool is ready to clinch. Locating the wires in notch of the side plate and switch the lever.

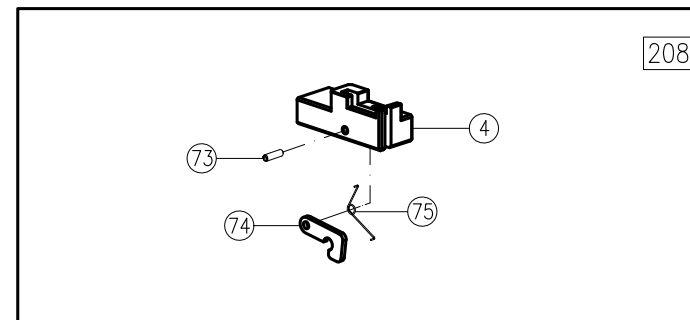
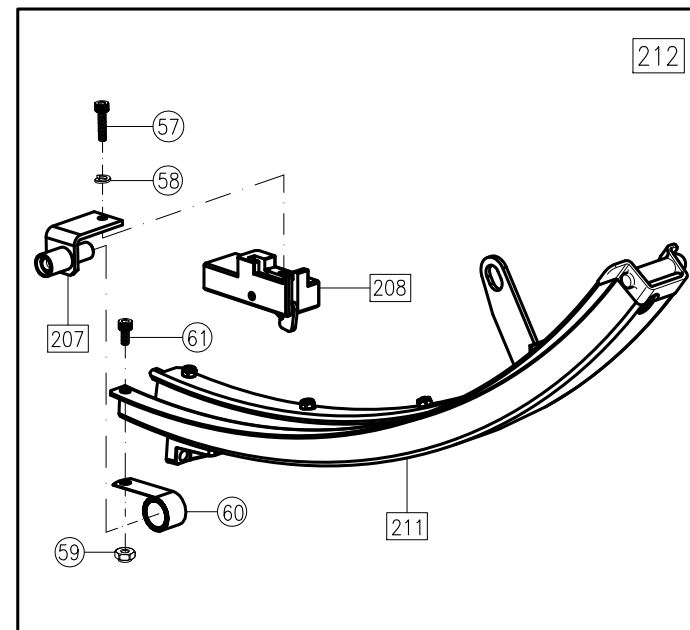
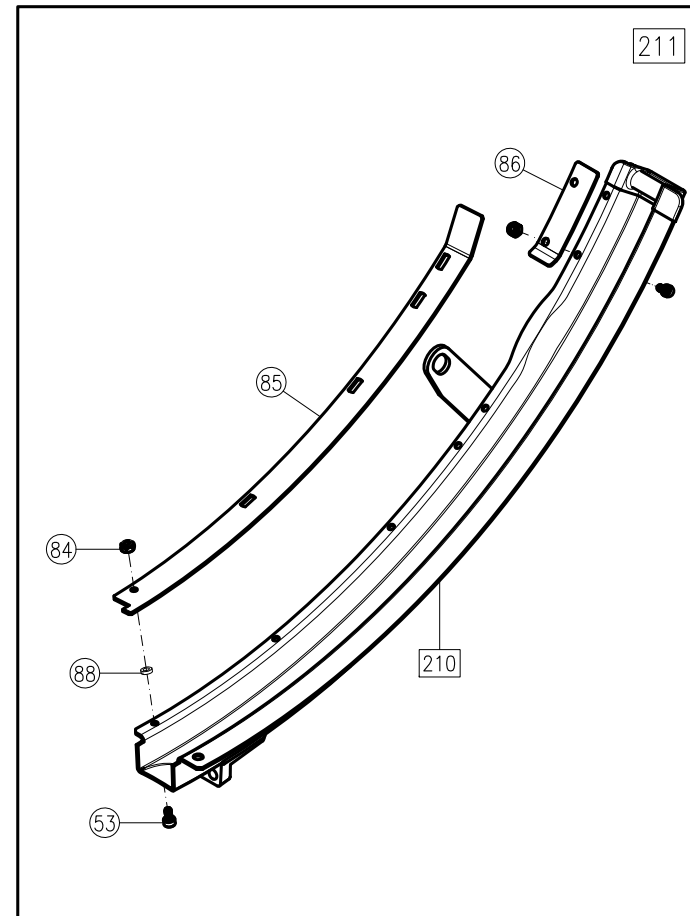
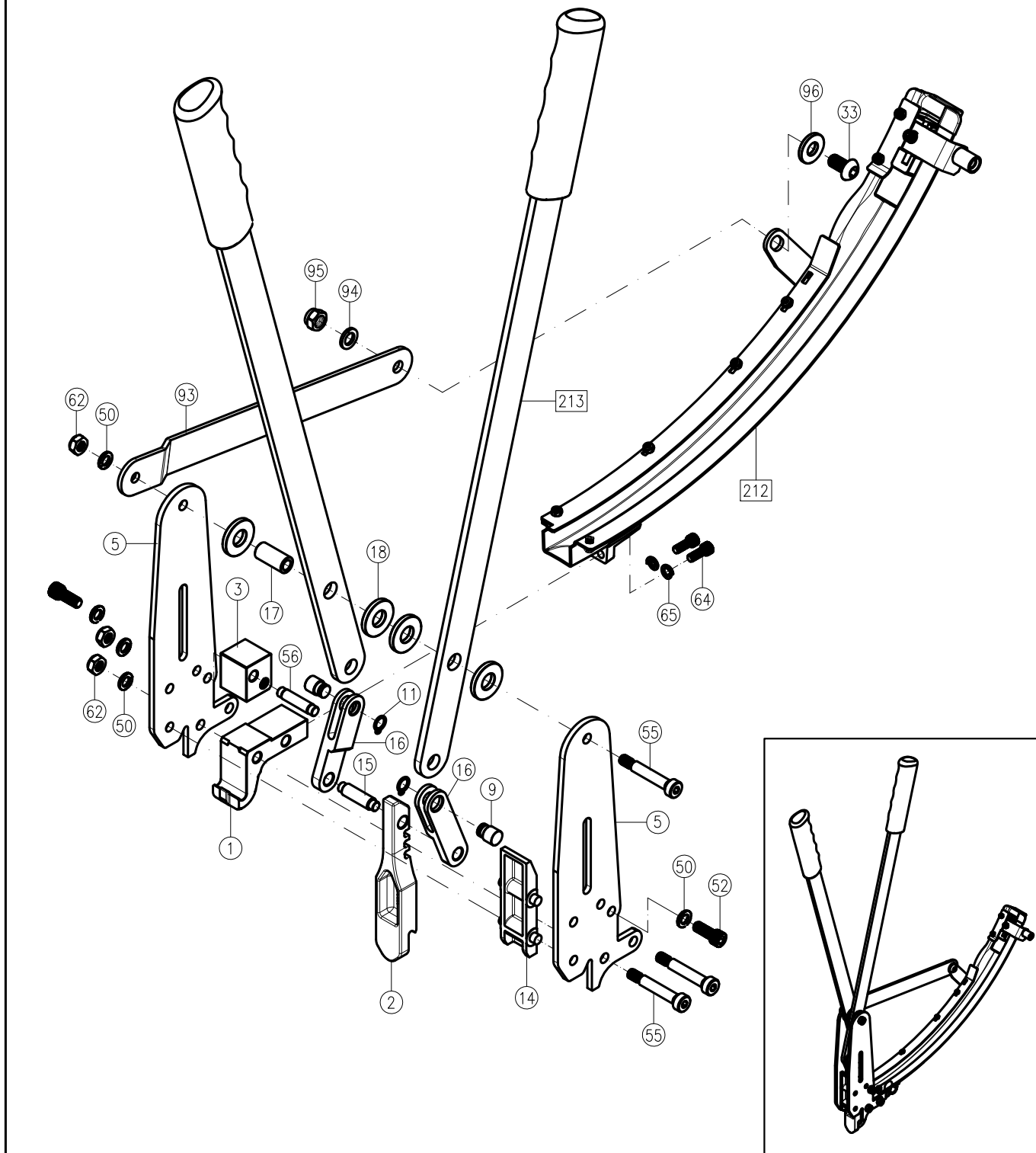


### SAFETY INSTRUCTIONS

1. Always wear safety goggles while operating, maintaining or repairing a tool.
2. Never point the tool at anyone.
3. Only use authentic ANN-CHAIN fasteners and parts in the tool.
4. Never place hands near the blade and anvil when operating the tool.

AF01H  
AF02H  
AF03H

AF04H  
AF05H  
AF06H



ITEM	DESCRIPTION	TOOL NO.	PART NO.	Q'TY
1	Anvil	AF01H	AF01001	1
		AF02H	AF02001	
		AF03H	AF03001	
		AF04H	AF04001	
		AF05H	AF05001	
		AF06H	AF06001	
2	Blade	AF01H	AF01002	1
		AF02H	AF02002	
		AF03H	AF03002	
		AF04H	AF04002	
		AF05H	AF05002	
		AF06H	AF06002	
3	Blade Guide	AF01H	AF01003	1
		AF02H	AF02003	
		AF03H,AF06H	AF03003	
		AF04H	AF04003	
		AF05H	AF05003	
4	Pusher	AF01H-AF04H,AF06H	AF01004	1
5	Plate		AF01H005	2
9	Link Pin		AF01H009	2
11	Retaining Ring		AF01H011	2
14	Front Plate		AF01H014	1
15	Spacer		AF01H015	1
16	Arm Link		AF01H016	2
17	Bushing		AF01H017	1
18	Washer		AF01H018	4
33	Screw		AF01H033	1
47	Pin		AF01H047	2
50	Washer		AF01050	4
52	Screw		AF01052	2
53	Screw	AF01H-AF02H	AF01053	6
		AF03H-AF04H	AF03053	
		AF05H-AF06H	AF05053	
55	Screw		AF01055	3
56	Pin		AF01056	1
57	Screw		AF01057	1
58	Washer		AF01058	1
59	Nut		AF01059	1
60	Pusher Spring		AF01060	1
61	Screw		AF01061	1
62	Nut		AF01062	3
64	Screw		AF01064	2
65	Washer		AF01065	2
73	Pin		AF01073	1
74	Pusher Hook		AF01074	1
75	L Spring		AF01075	1
84	Flex Loc-Nu		AF01084	6
85	Magazine Assy.		AF01085	1
86	Brake Plate		AF01086	1
88	Pad Roll	AF03H	AF03088	4
		AF05H	AF05088	
		AF06H	AF06088	
93	Magazine Bracket		AF01H093	1
94	Washer		AF01H094	1
95	Nut		AF01H095	1
96	Washer		AF01H096	1
207	Pusher Bracket Assy.		AF01207	1SET
208	Pusher Assy.		AF01208	1SET
210	Bottom Magazine Assy.		AF01210	1SET
211	Magazine Assy	AF01H-AF02H,AF04H	AF01211	1SET
		AF03H	AF03211	
		AF05H	AF05211	
		AF06H	AF06211	
212	Magazine Assy	AF01H-AF02H,AF04H	AF01212	1SET
		AF03H	AF03212	
		AF05H	AF05212	
AF06H	AF06212			
213	Lever		AF01H213	2SET