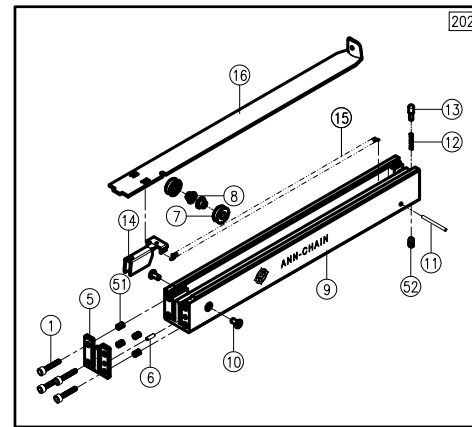
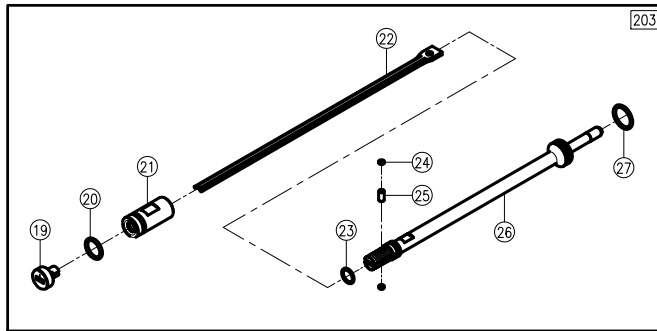
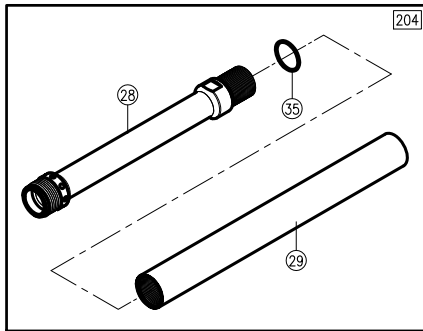
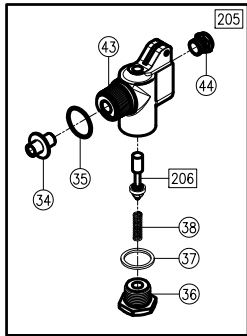
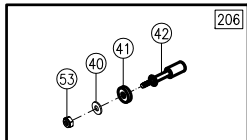
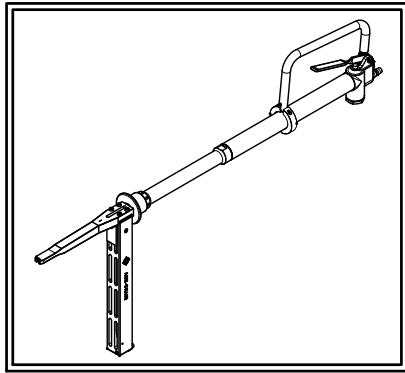


NA-AU19 NA-AU19D



N-AU19 N-AU19D			
ITEM	PART NO.	DESCRIPTION	QTY
1	AC01039	SCREW (3/16*7/8)	4
5	NAU19005	WEAR PLATE	1
6	NAU19006	PIN (1/8*3/8)	1
7	NAU19007	ROLLER	2
8	NAU19008	AXLE	2
9	NAU19009	MAGAZINE	1
10	NAU19010	BLIND RIVET	2
11	AC55069	PIN	1
12	NAU19012	SPRING	1
13	NAU19013	STOP PIN	1
14	NAU19014	PUSHER	1
15	NAU19015	SPRING	2
16	NAU19016	MAGAZINE COVER	1
18	NAU19018	DRIVER BUMPER	1
19	NAU19019	PISTON PLUG	1
20	NAU19020-NP	O-RING	1
21	NAU19021	COUPLER	1
22	NAU19022	DRIVER BLADE (FOR SINGLE RING)	1
	NAU19D022	DRIVER BLADE (FOR DOUBLE RING)	
23	NAU19023-NP	O-RING	1
24	AE01030	O-RING	2
25	NAU19025	DRIVER BLADE PIN	1
26	NAU19026	PISTON	1
27	NAU19027-NP	O-RING	1
28	NAU19028A	CYLINDER HEAD	1
29	NAU19029A		